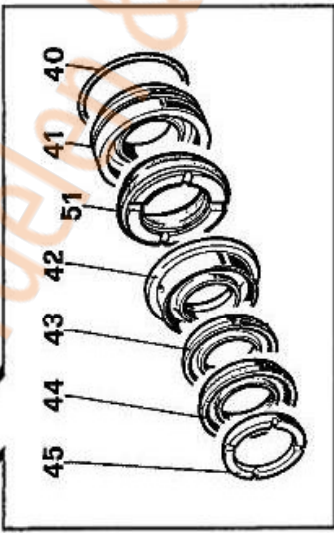


\* Fissare con Loctite 270 col. VERDE  
 \* Affix with Loctite 270 col. GREEN  
 \* Fixer avec de la Loctite 270 couleur VERT  
 \* Mit Loctite 270 GRÜN befestigen  
 \* Fijar con Loctite 270 col. VERDE  
 \* Fixar com Loctite 270 cor. VERDE

\*\* Fissare con Loctite 542 col. ROSSO  
 \*\* Affix with Loctite 542 col. RED  
 \*\* Fixer avec de la Loctite 542 couleur ROUGE  
 \*\* Mit Loctite 542 ROT befestigen  
 \*\* Fijar con Loctite 542 col. ROJO  
 \*\* Fixar com Loctite 542 cor. VERMELHA





**W97 - W112 - W124 - W130**  
**W140 - W150 - W154 - W170**  
**W200 - W204 - W950 - W951**  
**W952 - W953 - W954 - W955**  
**W956 - W957 - W958 - W959**  
**W14200 - W16180 - WW116**  
**WW136 - WW156 - WW176**  
**WW186 - WW189 - WW206**  
**WW209 - WW960 - WW961 - WW962**

**KIT RICAMBI – SPARE KITS**

KIT Nr.	KIT 23	KIT 123	KIT 124	NICKEL KIT 158	PISTONE- PISTON Ø15						PISTONE- PISTON Ø18			
Posizioni include Positions included	17	4 - 5 6 - 7 8 - (11)	9 - 10	9 - 10	43 - 44 51	42	45	40 - 41	40 - 41 42 - 43 44 - 45 51	40 - 41 42 - 43 44 - 45 51	43 - 44 51	42	45	40 - 41 42 - 43 44 - 45 51
Nr. Pcs.	3	6	6	6	3	3	6	3	3	1	3	3	6	1

	PISTONE - PISTON Ø15		PISTONE - PISTON Ø18	
	COD.	DESCRIZIONE - DESCRIPTION - KIT	COD.	DESCRIZIONE - DESCRIPTION - KIT
OTTONE BRASS	W130 - W150 - W170 W950 - W951 - W952 W953 - WW116 - WW136 WW176 - WW186 - WW189 - WW206 WW209 - WW960 - WW961 - WW962	W97 - W112 - W124 W140 - W154 - W954 W955 - W956 - W957 W958 - W959	W200 - W204 W14200 - W16180	
NICKEL				

POS	COD.	DESCRIZIONE - DESCRIPTION - KIT	NR
13	50.1500.74	Coperchio carter	2
14	44.2118.01	Distanziale con indicatore	1
15	90.4097.00	OR Ø 55.56x3.53 (159)	1
16	91.8331.00	Cuscinetto a sfere 6305 - Spec.	2
17	90.1614.00	Anello rad. Ø 20x30x5	23
18	44.0100.22	Carter pompa	1
19	98.2103.00	Tappo carico olio G 3/8"	1
20	44.0200.35 44.0203.35	Albero C.9.5 - WW186 WW206 Albero C.11 - W112 W140 W150 W950 W954 W955 W956 WW116 WW156 WW209 W200 W14200	1
	44.0205.35 44.0206.35	Albero C.12 - WW189 Albero C.13 - W97 W124 W130 W154 W170 W951 W952 W953 W957 W958 W959 WW136 WW176 W204 W16180	
21	91.4892.00	Linguetta 8x7x35 UNI 6604	1
22	44.0500.66	Guida pistone	3
23	44.0300.22	Biella	3
24	90.3920.00	OR Ø 101.27x2.62 (3400)	1
25	44.1600.22	Coperchio posteriore	1
26	99.1837.00	Vite M6x14 UNI 5931	5
27	90.3585.00	OR Ø 10.82x1.78 (2043)	1
28	98.2042.50	Tappo G 1/4"x9 TE17 - Zinc.	1
29	97.7340.00	Spinotto Ø 10x29.5	3
30	96.7350.00	Rosetta Ø 16x27x1.7/0.7	3
31	90.5022.00	Anello antiest. Ø 6.2x9x1.5	3

POS	COD.	DESCRIZIONE - DESCRIPTION - KIT	NR
1	44.1200.41 44.1204.41 44.1207.41	Testata Ø 15 Testata Ø 18 Testata Ø 18 - NICKEL	1
2	99.3175.00	Vite M8x60 UNI 5931	8
3	96.7014.00	Rosetta Ø 8.4x13x0.8	8
4	90.3841.00	OR Ø 17.13x2.62 (3068)	6
5	36.2003.66	Sede valvola	123
6	36.2001.76	Valvola	123
7	94.7376.00	Molla Ø 9.4x14.8	123
8	36.2025.51	Guida valvola	123
9	90.3847.00	OR Ø 20.24x2.62 (3081) 90 Sh. 124-158	6
10	98.2226.00 98.2225.00	Tappo M24x1.5x17 Tappo M24x1.5x17 - NICKEL	124 158
11	36.7115.01	Gruppo valvola aspiraz./mand.	123
12	99.1807.00	Vite M6x10 UNI 5739	8